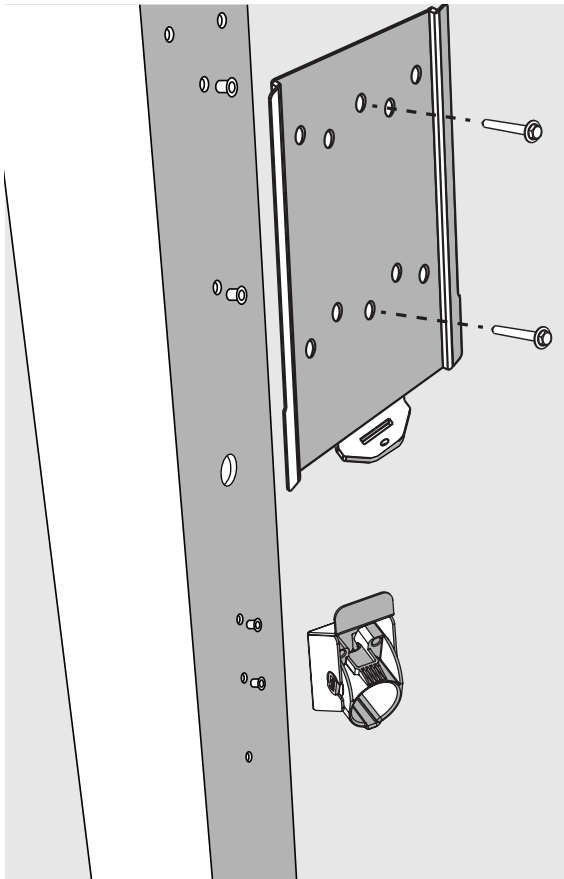


5 Mounting Charger/s to the Pedestal

Secure mounting plate and holster clamps in place by inserting the screws provided with the pedestal into the rivnuts as shown. The pedestal is now ready for a single charger to be mounted. Repeat this step on the other side of pedestal if installing two chargers.

Charger Mount



6 Connect the Wiring

- Route the three conductors out through the larger hole on the pedestal.
- Trim the EVSE conduit to length. The recommended length to remain is 12" as measured from the bottom of the EVSE.
- Follow NC7000 Installation Guide to connect the wiring to the charger.
- For Dual-Mount Installations, repeat on the opposite side.

7 Re-Install the Pedestal Post Cap

A pedestal cap is provided to protect the conductors and inner pedestal from environmental elements. Reinstall the pedestal cap with the screws provided.

8 Install the Beauty Covers

The beauty covers are provided to cover the electrical access holes [for Single-Mount Pedestals only](#). Skip this step if you are installing a Dual-Mount.

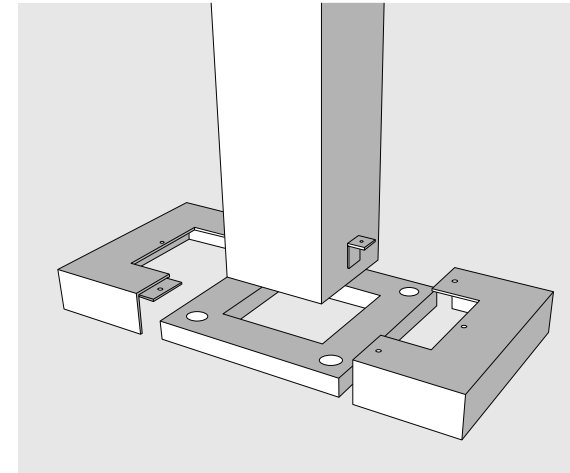
9 Install the Pedestal Base Cover

A two-piece pedestal base cover is included in this kit. The purpose of the pedestal base cover is to beautify the installation and to protect against injury from protruding anchor bolts.

- The two covers are of an identical overlapping design.
- Slide one cover onto front side of pedestal base until the center notch surrounds half of the pedestal post. Slide other cover onto the rear side in the same manner. Ensure that flanges of each cover piece are tucked inside of the opposite cover.

- Align the four screw holes of each cover piece with corresponding screw holes on the opposite cover.
- Secure each cover piece to the other with four (4) #8 flat-head screws included in pedestal kit using a #2 Philips head screwdriver.

Pedestal Plate Covers



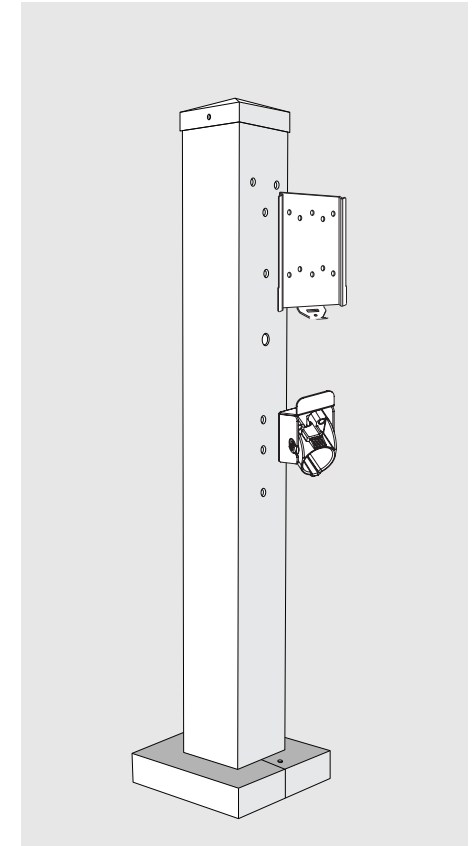
10 Install the Holster

The holster (included with the charging station) provides cord management and secures the vehicle connector. To install, follow the steps in the NC7000 Installation Guide.

- Loosely wrap the cable around the holster.
- Stow the Vehicle Connector in the holster. The button does not need to be pressed, simply insert until you hear the click to lock in place.

Remember - Verify the safety of the installation prior to turning on the circuit breaker. Refer to the Charging Station User's Guide for further operational and maintenance information. If you need assistance, please contact NovaCHARGE support at (866) 417-9995.

EVSE Pedestal Installation Guide



Please Note:

This guide includes the latest information at time of printing. NovaCHARGE, LLC. reserves the right to make changes to this product without further notice. Changes or modifications to this product by other than an authorized service facility may void the product warranty.

EVSE Pedestal Installation Guide

Before You Start:

Read instructions completely. If you have questions about this product, contact your NovaCHARGE Representative.

Important Safety Instructions

NovaCHARGE charging equipment is designed with the safety concerns of the end user. The following safety precautions should be read and followed:

- The charger and electrical wiring should be installed by a qualified electrician in accordance with local electrical codes and ordinances.
- Grounding Instructions: The charger should be connected to a grounded, metal, permanent wiring system; or an equipment-grounding conductor should be run with circuit conductors and connected to a grounding terminal or lead on the charger. Connections to the charger should comply with all local electrical codes and ordinances.
- DO NOT attempt to perform a procedure you are unsure of – contact your local service provider anytime questions arise.
- Refer to the charger documentation to determine the appropriate circuit breaker current capacity.
- All conductors must be appropriately sized for the charger current capacity, in accordance with local and NEC electrical codes.

Required Equipment for a Single or Dual-Mount Pedestal with NC7000

- One NovaCHARGE EVSE Pedestal Kit.
- One or Two NC7000 Charging Stations – depending on configuration.
- One or Two dedicated 208/240 VAC branch circuits, and one or two 40A circuit breakers.
- One or Two Live Line conductors (one pair for each charger) with enough length to comfortably pull all the way through and above the top of the pedestal.
- One or Two Ground Line conductors (one for each charger) or a single bonded ground line with enough length to comfortably pull all the way through and above the top of the pedestal.
- Conduit sized to fit all Live Line and Ground Line conductors.
- Use screws provided with pedestal to mount chargers instead of hardware in charger box.
- NOT INCLUDED with Pedestal: Four (4) Anchor Bolts with Nuts and Washers –need to be purchased separately.

Tools Required for Pedestal Assembly

- #2 Phillips Head Screwdriver
- Box Wrench (appropriately sized for Anchor Nuts)

NovaCHARGE Pedestal Kit Packing List

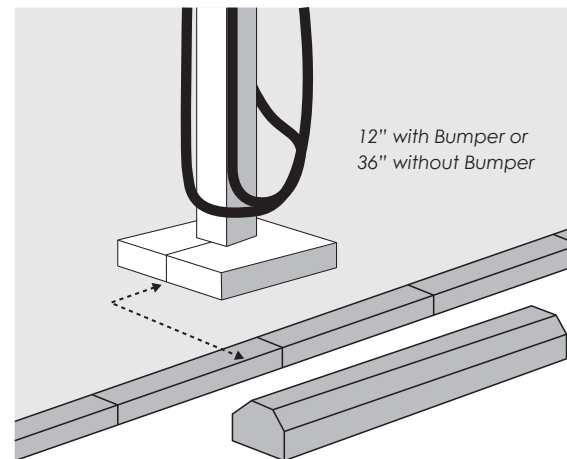
- (1) 5"x 5" x 60" aluminum post
- (1) 2"x 9 1/4" x 9 1/4" base plate cover
- (1) Pedestal Post Cap
- (7) #8 SS flat head fasteners
- (2) Neoprene gaskets
- (6) Beauty covers for mounting holes
- (8) #20 SS screws

1 Concrete Pad Requirements

The location, dimensions, and composition of the concrete pad under the pedestal should adhere to local building codes. The following dimensions are minimum recommended values.

- The pad area must be a minimum of 18" to a side.
- The concrete must be poured a minimum depth of 18".
- If no bumper block, the center of the pedestal base should be situated 36" behind the curb.
- If a bumper block is in place, the pedestal base center should be 12" behind the curb.

Proper Distance to the Curb



2 Anchor Bolt Placement

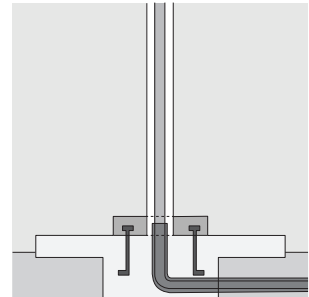
Four (4) 3/8" anchor bolts must be embedded 12" in the concrete pad for the purposes of securing the post.

- Arrange four (4) 3/8" anchor bolts in a 7" square pattern (corresponds to the corner cutouts in the pedestal base.)
- Anchor bolts should not protrude more than 2" above the surface of the concrete pad.

3 Mounting the Pedestal Post

After the concrete pad with anchor bolts and the three service conductors have been pulled through the underground conduit, the pedestal post may be placed.

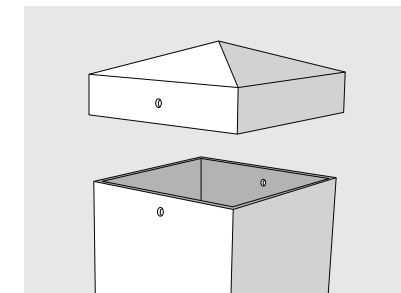
- Feed the three service conductors up through the inside of the pedestal post. The conductors must be of sufficient length to pass beyond the top of the pedestal so that final connections can be managed comfortably at a later step.
- Align pedestal post base notches with the four anchor bolts and ease it into place.
- Nuts and washers may be used under the pedestal base to adjust the vertical alignment of the pedestal should the concrete pad not be level.
- Secure pedestal post base to the concrete anchor bolts using appropriately sized nuts and washers.



4 Remove Pedestal Post Cap

A pedestal cap is provided to protect the conductors and inner pedestal from environmental elements. It has been assembled on the post for protection during shipping.

Pedestal Post Cap



Temporarily remove this cap for access to electrical connections. You will reinstall later using the same #8 screws.